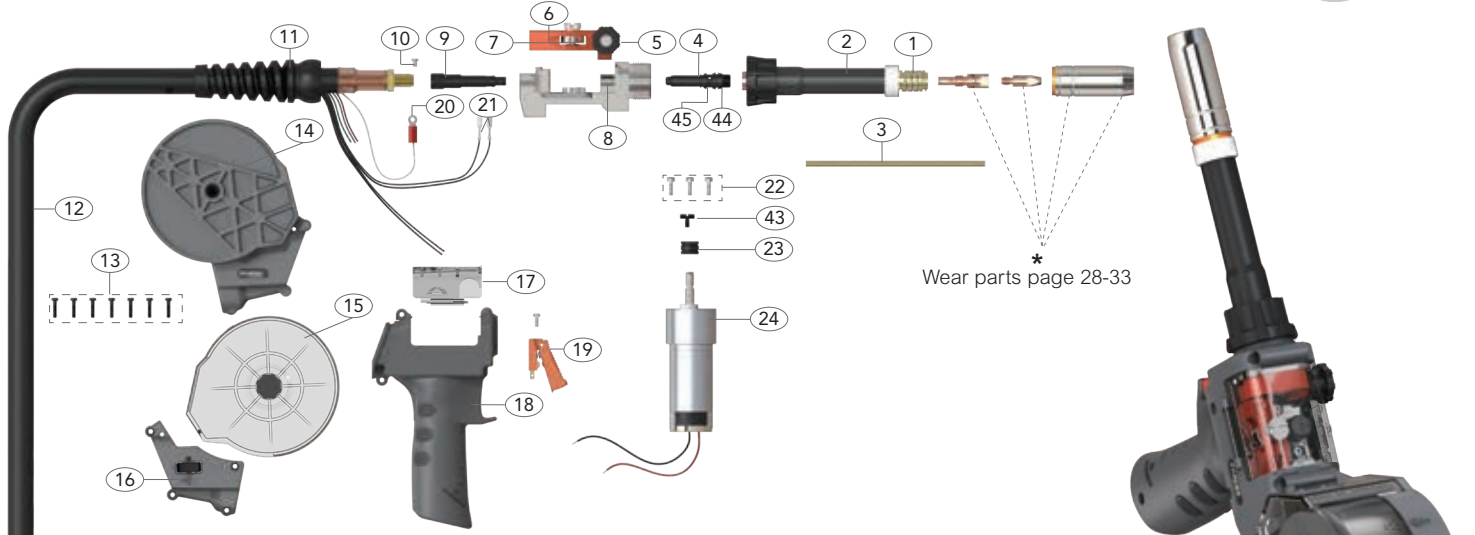


New

DSP 250A

Air-Cooled MIG Welding Torch

Rating: 200A CO₂, 180A mixed gas, EN60974-7 @ 60% duty cycle. 0.8 to 1.2mm wires



Model	Part Number
Description	6M
Spool-On 24V Mig Torch Euro End	DSP250A-24-60ER
Spool-On 42V Mig Torch Euro End	DSP250A-42-60ER
Spool-On 24V Mig Torch Euro End	DSP250A-24-P1-60ER
Spool-On 42V Mig Torch Euro End	DSP250A-42-P1-60ER
Spool-On 24V Mig Torch Surelok End	DSP250A-24-P1-60DN-GS1
Spool-On 42V Mig Torch Surelok End	DSP250A-42-P1-60DN-GS1

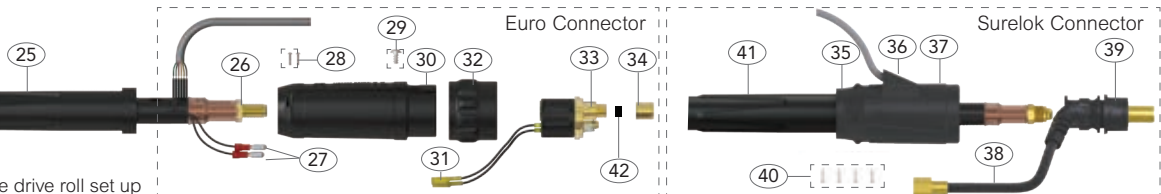
Alternative torch packages can be configured using the configurator on page 22 or at www.parkertorchology.com

Spare parts			
Part Number	Description	Part Number	Description
1	PB2502 Shroud Spring	SGP7020W-09U	Drive Roll For Al Wire ϕ 0.9
2	PSP2501 Straight Neck Assembly	SGP7020W-10U	Drive Roll For Al Wire ϕ 1.0
3	PGP3602A Jump Liner	*SGP7020W-12U	Drive Roll For Al Wire ϕ 1.2
4	PGP36006 Jump Liner Nipple	24	SGP7020-24 Motor 24V DC
5	PGP36402B Tension Knob	SGP7020-42	Motor 42V DC
6	PGP36402 Pressure Arm Assembly	25	PPA2041 Cable Support
7	PGP36402R Pressure Roll	26	PB1505 Lock Nut
8	PSP36001 Motor Body	27	PB1522 Cable Terminal Male
9	PSP36006 Wire Guide	28	SCSP1-1 Gun Plug Housing Screw
10	SCP2563 Screw	29	PBL1541 Gun Plug Screw Pack
11	PMIG8015 Cable Support	30	SCP2578H/L Gun Plug Housing Assembly
12	DSP2503-60ER Coax Cable Assembly Euro Type	31	PB1523 Gun Plug Terminal Female
	DSP2503-60DN Coax Cable Assembly Dinse Type	32	PC1519/S Housing Nut
13	PKA3X20 Handle Screw Pack	33	PC1528 Hybrid Gun Plug Body C/W Spring Pins
14	PSP2515SP-B Spool Holder	34	PB1525 Liner Nut
15	PSP2515SP-C Spool Cover	35	PSLH26-M Cable Support Large
16	PSP2515SP-PT-1K Wire Speed Control 1K Ω	36	PSLH26-C Surelok Housing Cover
	PSP2515SP-PT-5K Wire Speed Control 5K Ω	37	*PSLH26-H-# Surelok Housing Large
	PSP2515SP-PT-10K Wire Speed Control 10K Ω	38	PSL-1 Gas Supply Hose
	PSP2515SP-PT-25K Wire Speed Control 25K Ω	39	PSL3550 Surelok Body & Support
	PSP2515SP-PT0 No Potentiometer	40	PERSP1 Screw Pack
17	PGP2514-C Push-Pull Handle Cover	41	PPA3541 Cable Support
18	PCSP2515-KJ Spool-On Handle	42	PB1525W Washer
19	PGP2516 Push-Pull Trigger	43	PGP7020-24-4 Screw
20	SCP2597 Circular Cable Terminal	44	9x1.5 "O" ring
21	PM1521 Cable Terminal	45	7x1.5 "O" ring
22	PGPMS1 Motor Screw Pack		
23	SGP7020W-08 Drive Roll For Steel Wire ϕ 0.8		
	SGP7020W-09 Drive Roll For Steel Wire ϕ 0.9		
	SGP7020W-10 Drive Roll For Al Wire ϕ 1.0		
	SGP7020W-08U Drive Roll For Al Wire ϕ 0.8		

*Note: Gas supply hoses are specified by utilizing the part number and a termination suffix from the gas supply hose table on page 23.

Example: PSL-1-GS1

Gas supply hose C/W 3/8" BSP fitting



* Denotes torch package drive roll set up

Note: All packages supplied with hard and soft wire drive rolls